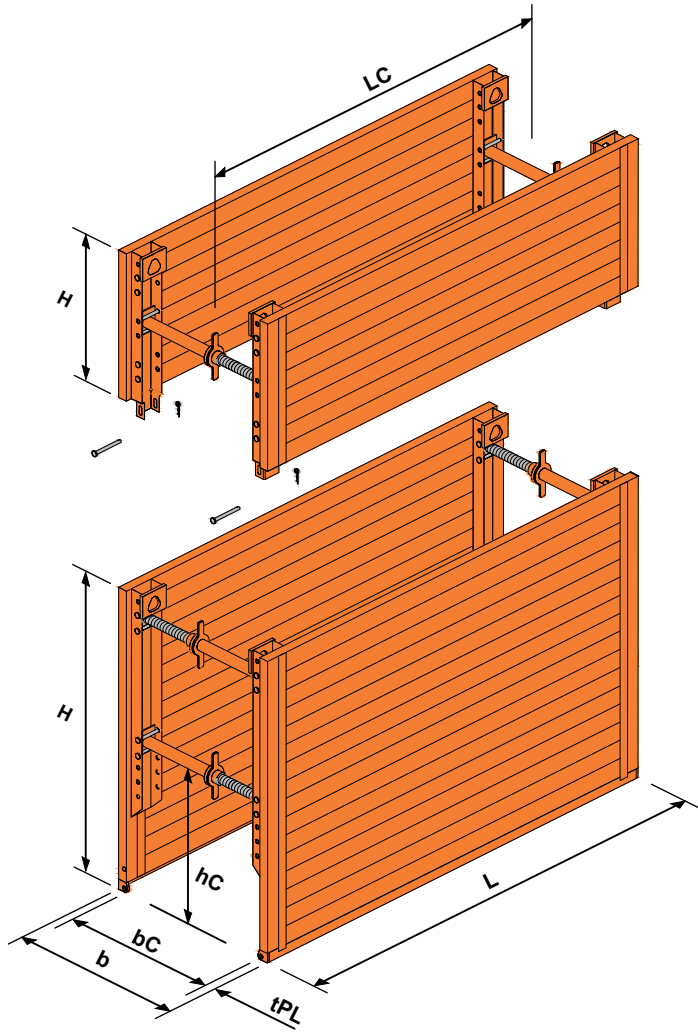


# Lite Trench Box Information Sheet



tPL = 60mm (except 4.0m box = 80mm)

## Lite Trench Box Summary

Plate length L [m]	Plate height H [m]	Pipe clearance length LC [m]	Permissible Earth Pressure [kN/m <sup>2</sup> ]
2.00	2.00 base 1.00 top	1.60	34.1
2.50	2.00 base 1.00 top	2.10	30.0
3.00	2.00 base 1.00 top	2.60	25.0
3.50	2.00 base 1.00 top	3.10	18.9
4.00	2.00 base 1.00 top	3.60	23.0

All 2.0m high base boxes have a vertical pipe clearance height (Hc) of 940mm

## Lite Trench Box Weights

Box Length [m]	Panel Height [m]	Weight per box [kg]					
		Type A	Type B	Type C	Type D	Type E	Type F
2.00	2.00 Base	743	754	770	780	789	803
	1.00 Top	406	412	420	425	430	437
2.50	2.00 Base	861	872	888	898	907	921
	1.00 Top	462	468	476	481	486	493
3.00	2.00 Base	983	994	1010	1020	1029	1043
	1.00 Top	518	524	532	537	542	549
3.50	2.00 Base	1329	1340	1356	1366	1375	1389
	1.00 Top	582	588	596	601	606	613
4.00	2.00 Base	1577	1588	1604	1614	1623	1637
	1.00 Top	844	850	858	863	868	875

A forklift/machine must be provided to off load the kit from the delivery vehicle. Alternatively SEL can deliver the equipment on a HIAB vehicle by prior arrangement.

## Lite Trench Box Spindle Chart

Spindle type	Internal width bC [m]		External width b [m]		Permissible axial force [kN]	Weight [kg]
	min.	max.	min.	max.		
A	0.53	0.73	0.66	0.86	160	14.2
B	0.71	1.07	0.84	1.20	147	16.9
C	1.05	1.65	1.18	1.78	124	20.9
D	1.50	2.10	1.63	2.23	107	23.6
E	1.88	2.48	2.01	2.61	92	25.8
F	2.48	3.08	2.61	3.21	69	29.3

The trench width increases by 40mm when 4.0m boxes are employed.

