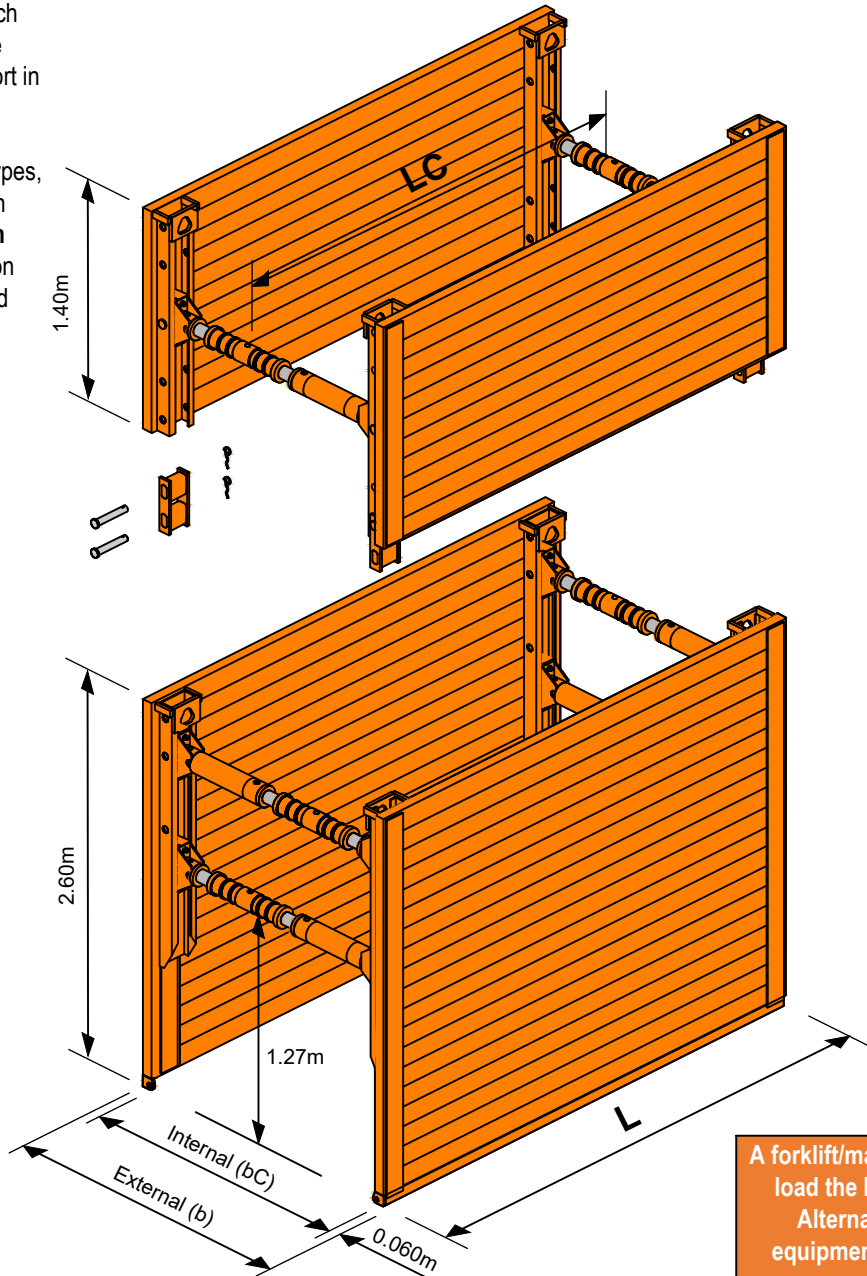


Mini Trench Box Information Sheet

Lighter than our Standard Trench Box, the Mini Trench Box range provides excellent trench support in good to fair ground conditions.

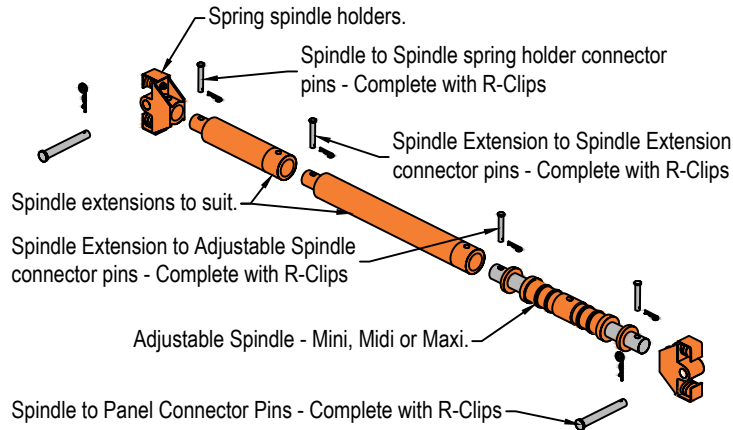
With three adjustable spindle types, the Mini Trench box system can achieve widths of 0.77 - 4.38m using a combination of extension pieces. See overleaf for detailed spindle information.



A forklift/machine must be provided to off load the kit from the delivery vehicle. Alternatively SEL can deliver the equipment on a HIAB vehicle by prior arrangement.

Box Length	Clearance	Thickness	Panel Height	Permissible Earth Pressure	Maximum Weight per complete box [kg]									
					L	LC	tPL	H	Mini-0.0	Midi-0.0	Maxi-0.0	Maxi-0.5	Maxi-1.0	Maxi-1.5
m	m	mm	m	kN/m ²										
2.0	1.6	60	2.6 Base	38.2	965	993	1026	1105	1184	1263	1343	1422	1501	
			1.4 Top		570	583	600	640	680	719	759	798	838	
2.5	2.1		2.6 Base	30.6	1100	1128	1161	1240	1319	1398	1478	1557	1636	
			1.4 Top		649	663	680	720	760	799	839	878	918	

Mini Trench Box Information Sheet



Box Spindle Type	Internal Width	External Width	Each spindle contains a spindle adjuster plus the following spindle extensions			Weight
	bC	b	0.5m	1.0m	2.0m	G
	(m)	(m)				(kg)
Mini-0.0	0.65 - 0.75	0.77 - 0.87	0	0	0	50.0
Mini-0.5	1.15 - 1.25	1.27 - 1.37	1	0	0	69.8
Mini-1.0	1.65 - 1.75	1.77 - 1.87	0	1	0	89.6
Mini-1.5	2.15 - 2.25	2.27 - 2.37	1	1	0	109.4
Mini-2.0	2.65 - 2.75	2.77 - 2.87	0	0	1	129.2
Mini-2.5	3.15 - 3.25	3.27 - 3.37	1	0	1	149.0
Mini-3.0	3.65 - 3.75	3.77 - 3.87	0	1	1	168.8
Midi						
Midi-0.0	0.83 - 1.02	0.95 - 1.14	0	0	0	57.0
Midi-0.5	1.33 - 1.52	1.45 - 1.64	1	0	0	76.8
Midi-1.0	1.83 - 2.02	1.95 - 2.14	0	1	0	96.6
Midi-1.5	2.33 - 2.52	2.45 - 2.64	1	1	0	116.4
Midi-2.0	2.83 - 3.02	2.95 - 3.14	0	0	1	136.2
Midi-2.5	3.33 - 3.52	3.45 - 3.64	1	0	1	156.0
Midi-3.0	3.83 - 4.02	3.95 - 4.14	0	1	1	175.8
Maxi						
Maxi-0.0	0.98 - 1.26	1.10 - 1.38	0	0	0	65.0
Maxi-0.5	1.48 - 1.76	1.60 - 1.88	1	0	0	84.8
Maxi-1.0	1.98 - 2.26	2.10 - 2.38	0	1	0	104.6
Maxi-1.5	2.48 - 2.76	2.60 - 2.88	1	1	0	124.4
Maxi-2.0	2.98 - 3.26	3.10 - 3.38	0	0	1	144.2
Maxi-2.5	3.48 - 3.76	3.60 - 3.88	1	0	1	164.0
Maxi-3.0	3.98 - 4.26	4.10 - 4.38	0	1	1	183.8