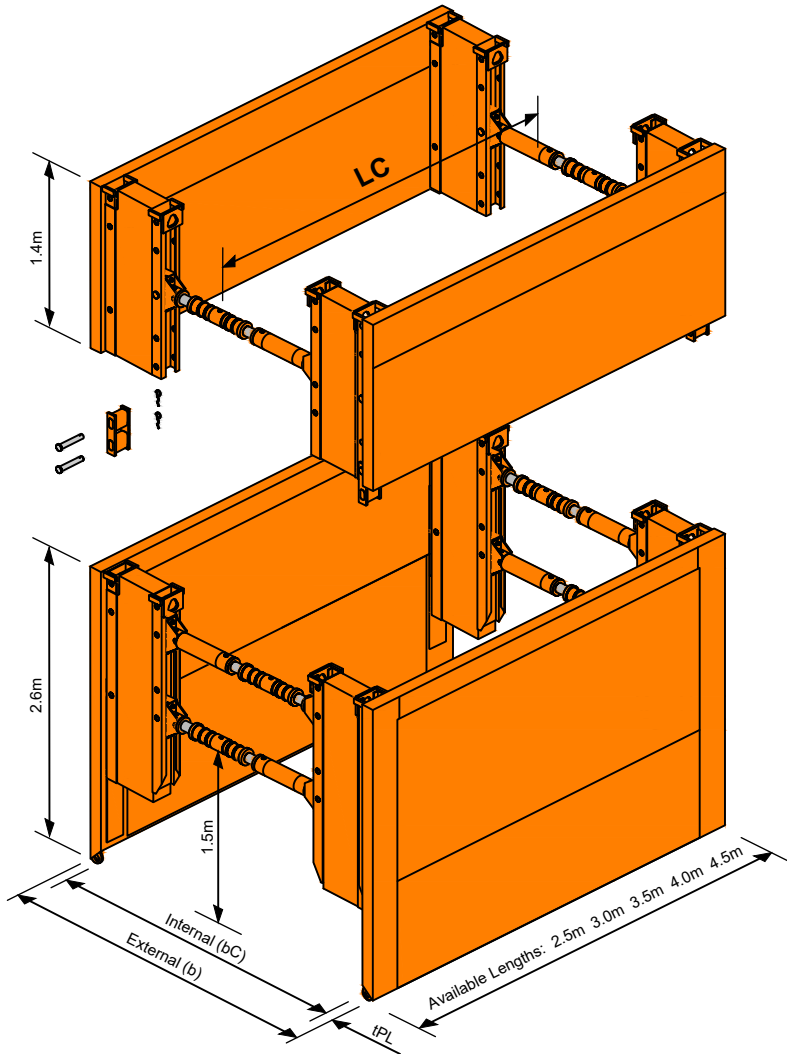


Standard Manhole Box Information Sheet



Designed for deeper trenches and poor ground conditions, the Standard Manhole Box range offers reliable trench support.

With three adjustable spindle types, the Standard Manhole box system can achieve widths of **1.73 - 5.36m** using a combination of extension pieces. See overleaf for detailed spindle information.

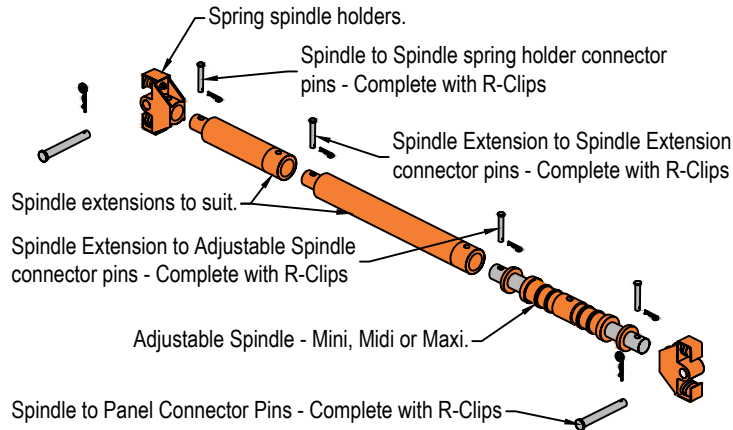
Box Length L m	Clearance LC m	Thickness tPL mm	Trench Width [b] v Permissible Earth Pressure [kN/m ²]			
			<3.0m	<3.5m	<4.0m	<4.5m
2.5	2.1	107	57.0	51.7	42.7	33.6
3.0	2.6		47.5	43.0	35.6	28.0
3.5	3.1		40.7	36.9	30.5	24.0
4.0	3.6	127	35.6	32.2	26.7	21.0
4.5	4.1		33.7	30.5	25.2	19.8

A forklift/machine must be provided to off load the kit from the delivery vehicle. Alternatively SEL can deliver the equipment on a HIAB vehicle by prior arrangement.

Box Length L m	Panel Height H m	Maximum Weight per complete box [kg]								
		Mini-0.0	Midi-0.0	Maxi-0.0	Maxi-0.5	Maxi-1.0	Maxi-1.5	Maxi-2.0	Maxi-2.5	Maxi-3.0
2.5	2.6 Base	2380	2408	2441	2520	2599	2678	2758	2837	2916
	1.4 Top	1542	1555	1572	1612	1652	1691	1731	1770	1810
3.0	2.6 Base	2635	2663	2696	2775	2854	2933	3013	3092	3171
	1.4 Top	1686	1700	1717	1757	1797	1836	1876	1915	1955
3.5	2.6 Base	2880	2908	2941	3020	3099	3178	3258	3337	3416
	1.4 Top	1832	1845	1862	1902	1942	1981	2021	2060	2100
4.0	2.6 Base	3120	3148	3181	3260	3339	3418	3498	3577	3656
	1.4 Top	1977	1990	2007	2047	2087	2126	2166	2205	2245
4.5	2.6 Base	3650	3678	3711	3790	3869	3948	4028	4107	4186
	1.4 Top	2362	2375	2392	2432	2472	2511	2551	2590	2610

NB: The weights in bold indicate recommended spindle size to form a square box.

Standard Manhole Box Information Sheet



Box Spindle Type	Internal Width	External Width	Each spindle contains a spindle adjuster plus the following spindle extensions			Weight
	bC	b	0.5m	1.0m	2.0m	G
	(m)	(m)				(kg)
Mini-0.0	1.53 - 1.63	1.73 - 1.83	0	0	0	50.0
Mini-0.5	2.03 - 2.13	2.23 - 2.33	1	0	0	69.8
Mini-1.0	2.53 - 2.63	2.73 - 2.83	0	1	0	89.6
Mini-1.5	3.03 - 3.13	3.23 - 3.33	1	1	0	109.4
Mini-2.0	3.53 - 3.63	3.73 - 3.83	0	0	1	129.2
Mini-2.5	4.03 - 4.13	4.23 - 4.33	1	0	1	149.0
Mini-3.0	4.53 - 4.63	4.73 - 4.83	0	1	1	168.8
Midi-0.0	1.71 - 1.90	1.91 - 2.10	0	0	0	57.0
Midi-0.5	2.21 - 2.40	2.41 - 2.60	1	0	0	76.8
Midi-1.0	2.71 - 2.90	2.91 - 3.10	0	1	0	96.6
Midi-1.5	3.21 - 3.40	3.41 - 3.60	1	1	0	116.4
Midi-2.0	3.71 - 3.90	3.91 - 4.10	0	0	1	136.2
Midi-2.5	4.21 - 4.40	4.41 - 4.60	1	0	1	156.0
Midi-3.0	4.71 - 4.90	4.91 - 5.10	0	1	1	175.8
Maxi-0.0	1.86 - 2.14	2.08 - 2.36	0	0	0	65.0
Maxi-0.5	2.36 - 2.64	2.58 - 2.86	1	0	0	84.8
Maxi-1.0	2.86 - 3.14	3.08 - 3.36	0	1	0	104.6
Maxi-1.5	3.36 - 3.64	3.58 - 3.86	1	1	0	124.4
Maxi-2.0	3.86 - 4.14	4.08 - 4.36	0	0	1	144.2
Maxi-2.5	4.36 - 4.64	4.58 - 4.86	1	0	1	164.0
Maxi-3.0	4.86 - 5.14	5.08 - 5.36	0	1	1	183.8

For 4.50m Long boxes, add 40mm to the 'External Width' column.