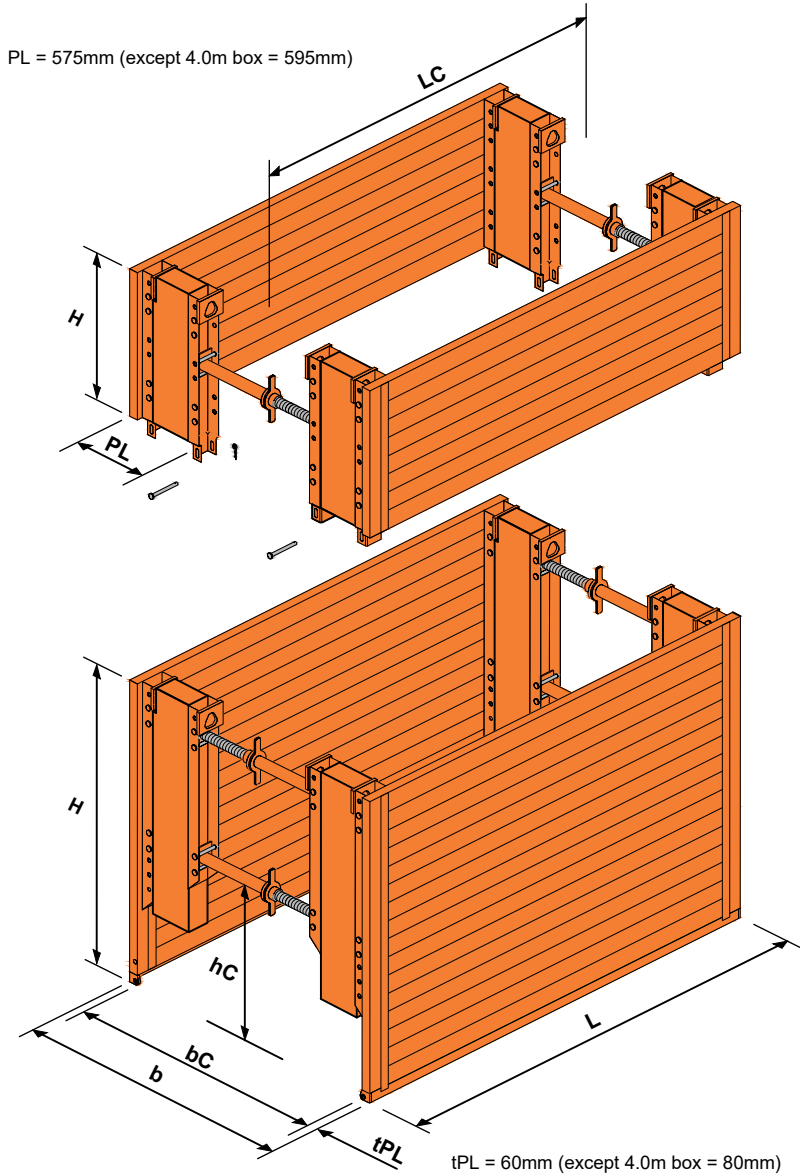


Lite Manhole Box Information Sheet



Lite Manhole Box Summary

Plate length L [m]	Plate height H [m]	Pipe clearance length LC [m]	Permissible Earth Pressure [kN/m ²]
2.00	2.00 base 1.00 top	1.60	34.1
2.50	2.00 base 1.00 top	2.10	30.0
3.00	2.00 base 1.00 top	2.60	25.0
3.50	2.00 base 1.00 top	3.10	18.9
4.00	2.00 base 1.00 top	3.60	23.0

All 2.0m high base boxes have a vertical pipe clearance height (Hc) of 940mm

Lite Manhole Box Weights

Box Length [m]	Panel Height [m]	Weight per box [kg]					
		Type A	Type B	Type C	Type D	Type E	Type F
2.00 C	2.00 Base	1063	1074	1090	1100	1109	1123
	1.00 Top	634	640	648	653	658	665
2.50 D	2.00 Base	1181	1192	1208	1218	1227	1241
	1.00 Top	690	696	704	709	714	721
3.00 E	2.00 Base	1303	1314	1330	1340	1349	1363
	1.00 Top	746	752	760	765	770	777
3.50 F	2.00 Base	1649	1660	1676	1686	1695	1709
	1.00 Top	810	816	824	829	834	841
4.00 F	2.00 Base	1897	1908	1924	1934	1943	1957
	1.00 Top	1038	1078	1086	1091	1096	1103

The letter indicates the recommended spindle size where a square excavation is required.

A forklift/machine must be provided to off load the kit from the delivery vehicle.
Alternatively SEL can deliver the equipment on a HIAB vehicle by prior arrangement.

Lite Manhole Box Spindle Chart

Spindle type	Internal width bC [m]		External width b [m]		Permissible axial force [kN]	Weight [kg]
	min.	max.	min.	max.		
A	1.33	1.53	1.46	1.66	160	14.2
B	1.51	1.87	1.64	2.00	147	16.9
C	1.85	2.45	1.98	2.58	124	20.9
D	2.30	2.90	2.43	3.03	107	23.6
E	2.68	3.28	2.81	3.41	92	25.8
F	3.28	3.88	3.41	4.01	69	29.3

The width of excavation increases by 40mm when 4.0m boxes are employed.

