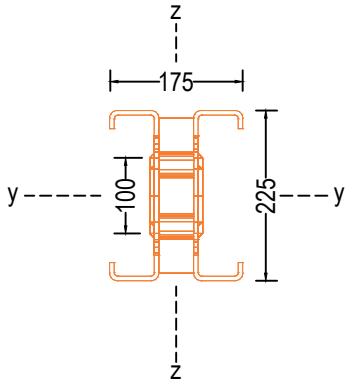


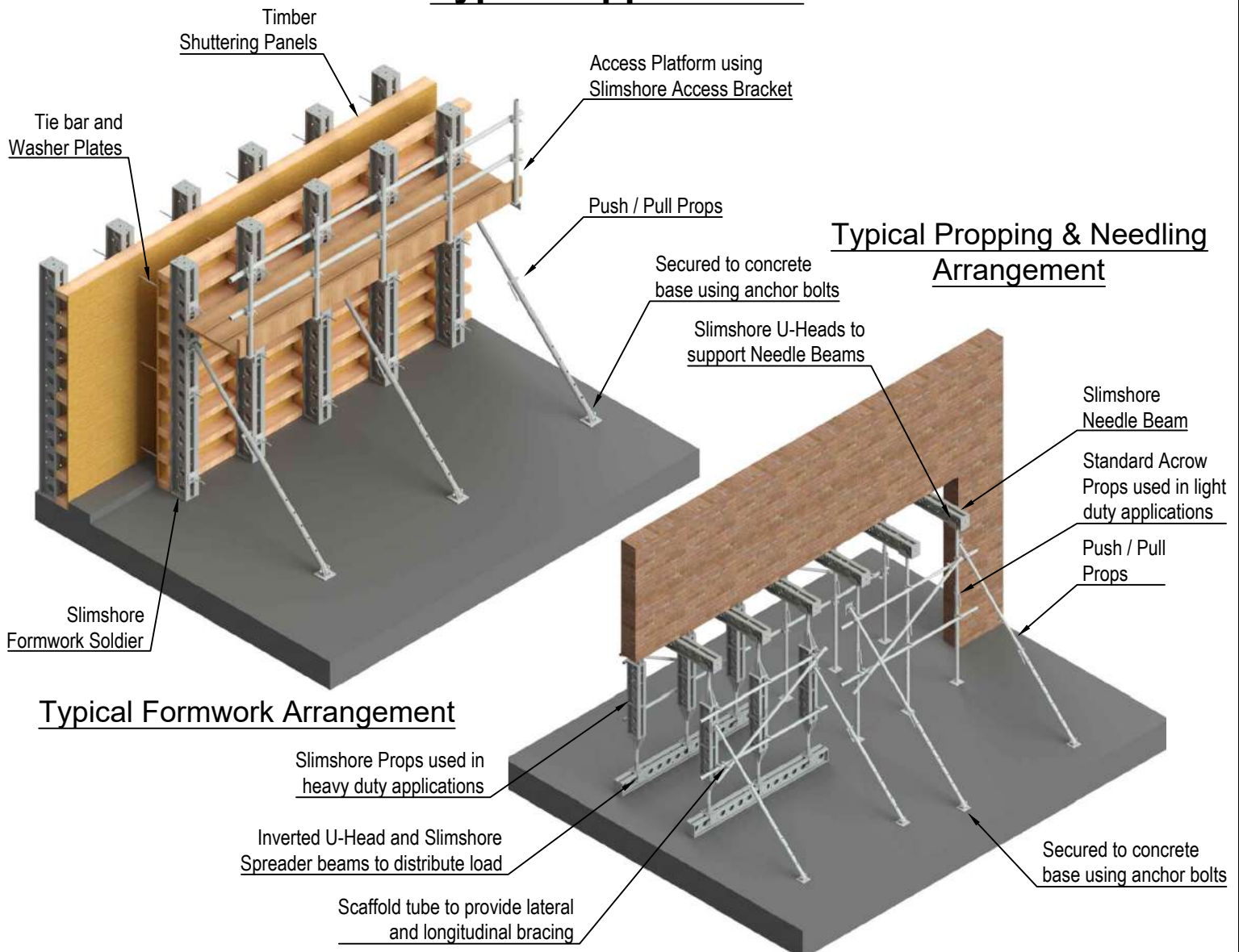
Slimshore Information Sheet



Key Permissible Properties	
Moment Capacity	42.5 kNm
Shear Capacity	216.5 kN
Axial Capacity (@ 4m)	232 kN
4no Bolted Joint - Moment	15.5 kNm
4no Bolted Joint - Tension	167 kN
6no Bolted Joint - Moment	20.5 kNm
6no Bolted Joint - Tension	275 kN

Key Section Properties	
Material Grade	S355
Net Section Area	2010.8mm ²
Net I _{yy}	1851cm ⁴
Net I _{zz}	551.9cm ⁴

Typical Applications



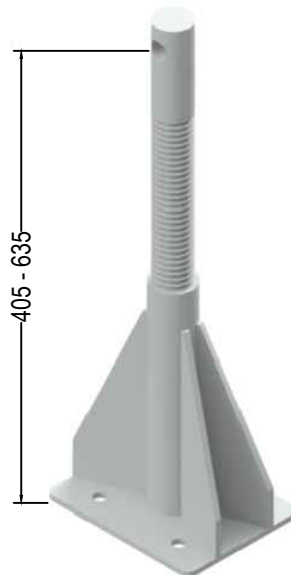
Slimshore Information Sheet

Slimshore Key Components



Slimshore Soldier	
Description	Weight (kg)
0.09m Packer Unit	7.3
0.36m Soldier	11.9
0.54m Soldier	15.2
0.72m Soldier	18.7
0.90m Soldier	22.0
1.8m Soldier	38.8
2.7m Soldier	55.4
3.6m Soldier	72.2

*Slimshore Soldier units can be connected end to end using a 4no. or 6no. **M16x40** Bolted joint, depending on the required strength. The soldiers can be used as Prop units, Raking shores, Needle Beams and more.*



Adjustable Base Jack	
Description	Weight (kg)
365 - 515mm Jack	19.0

*The Adjustable Base Jack allows for fine adjustment in height when combined with Slimshore Soldier prop units. Connection to Soldier units using 4no **M16x40** Bolts. Connection to a suitable concrete slab using anchor bolts (by others).*

LH / RH Jacks	
Description	Weight (kg)
LH Adjustable Jack	15.0
RH Adjustable Jack	15.0

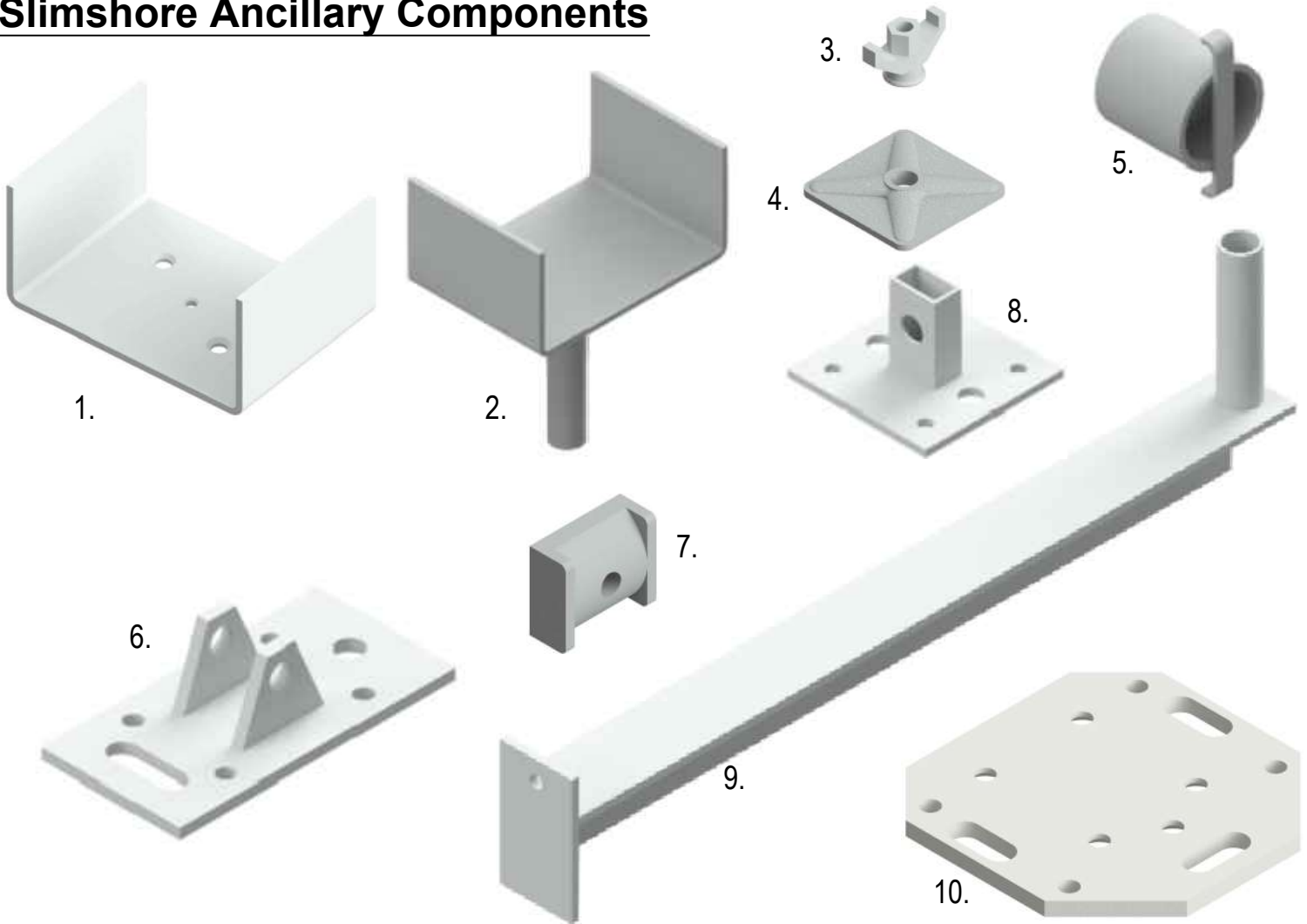
*The handed Left or Right Jacks connect to Slimshore Soldier units for Heavy Duty Push/Pull Props. Connection to Soldier units using 4no **M16x40** Bolts. Connection to Tilt Plate or Spade End Link using **M24x110** Bolts*

Spade End Link	
Description	Weight (kg)
Spade End Link	3.1

*The Spade End Link connects to the LH/RH Jacks to enable connection to the web hole in the soldier unit using the Prop Pivot Tube. Connection to LH/RH Jacks using **M24x110** Bolts.*

Slimshore Information Sheet

Slimshore Ancillary Components

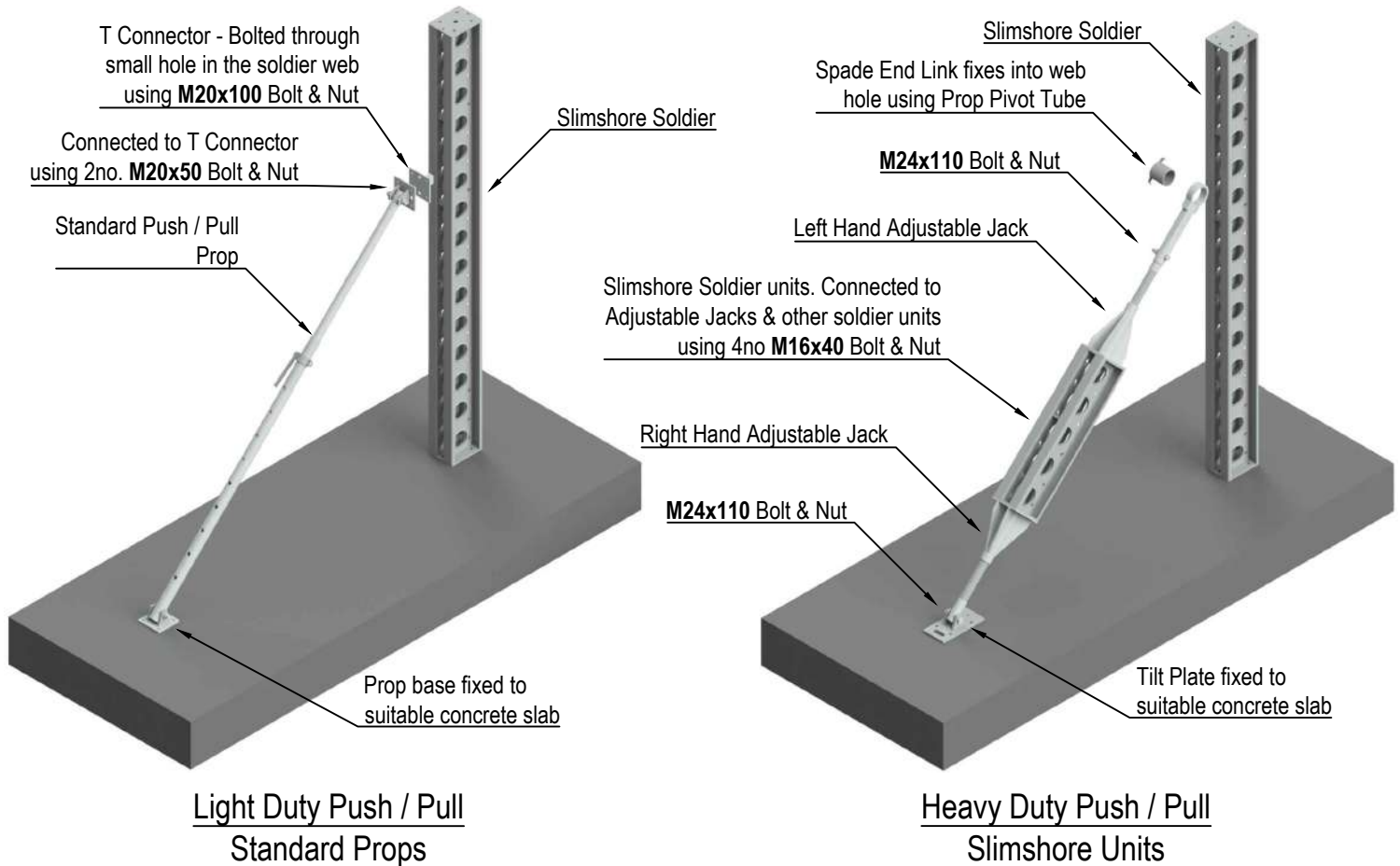


Ancillary Components

No.	Description	Weight (kg)	Comments
1	U-Head Type A	5.3	U-Head fixes to Adjustable props using 2no Countersunk M12x40 bolts to support a 180mm wide beam.
2	U-Head Type B	8.5	U-Head compatible with Standard props to support a 180mm wide beam.
3	Wing Nut	0.4	Secures 15mm Tie Bar.
4	Washer Plate	0.9	Used in conjunction with the Wing Nut to secure 15mm Tie Bar
5	Prop Pivot Tube	1.8	Secures the Spade End Link into the web hole of a Soldier
6	Tilt Plate	4.8	Used to connect Heavy Duty Push / Pull props to a concrete base.
7	Porthole Bearing	5.0	Sits within the web hole of a Soldier to allow a diagonal Tie Bar connection
8	T-Connection	1.5	Connects to the bolt hole in the web of a Soldier unit to secure a standard Push / Pull prop.
9	Access Bracket	6.7	Connects to the bolt hole in the web of a Soldier unit utilising a captive fixing. The bracket provides support for scaffold boards and scaffold tube edge barriers.
10	Anchor Plate	7.3	Connects to a Soldier section using 4no Countersunk M16x40 bolts to allow fixing to a concrete slab.

Slimshore Information Sheet

Slimshore Push / Pull Prop Types



Push / Pull Prop Capacities

For general light usage of push/pull props and standard props, please see the below table. The information is based on standard adjustable steel props as defined by BS 4074.

Prop No.	Dimensions		Permissible Load - Concentric loading & Max. 1.5° out of plumb	Weight - Prop Type	Weight - Push/Pull Type
	Closed	Open			
	m	m			
0	1.07	1.82	35	13.0	15.8
1	1.75	3.12	18	18.6	23.0
2	1.98	3.35	16	19.6	24.0
3	2.59	3.96	12	22.3	27.0
4	3.20	4.87	10	26.4	31.6

For heavy duty usage using Slimshore Soldier units, most typical applications will be limited by the **65kN Spade End Link** capacity. For further information and advice please contact Site Equipment Ltd.